

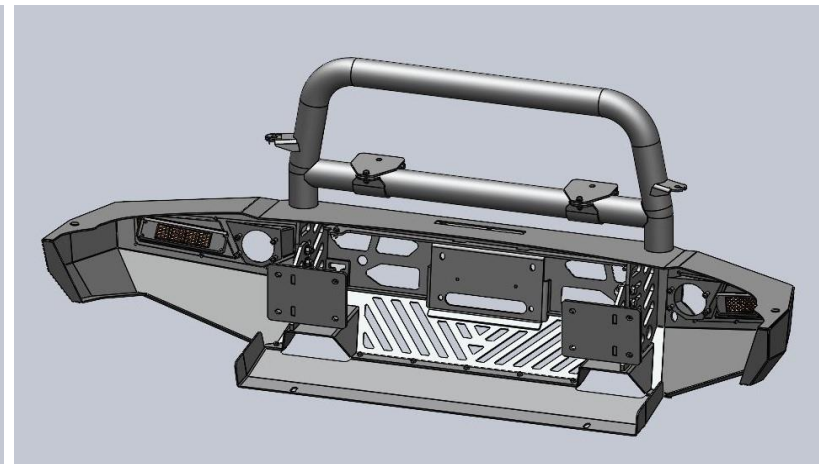
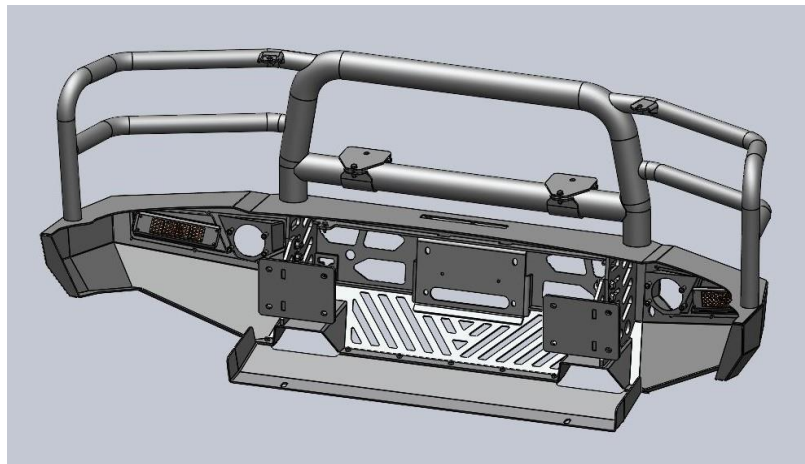
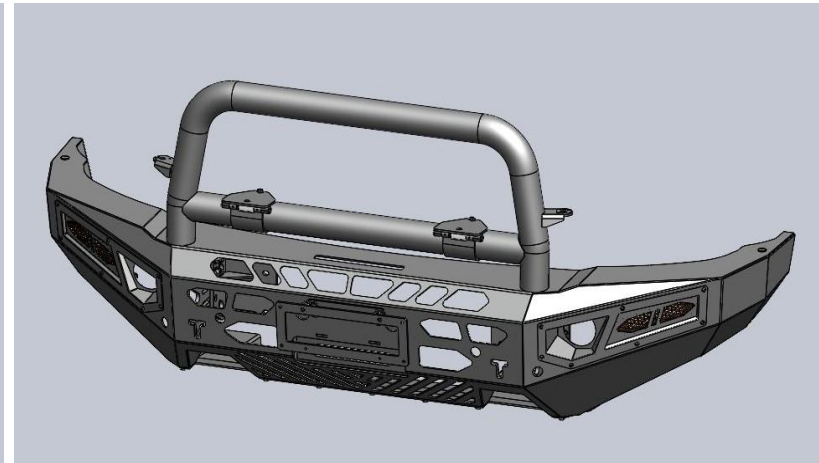
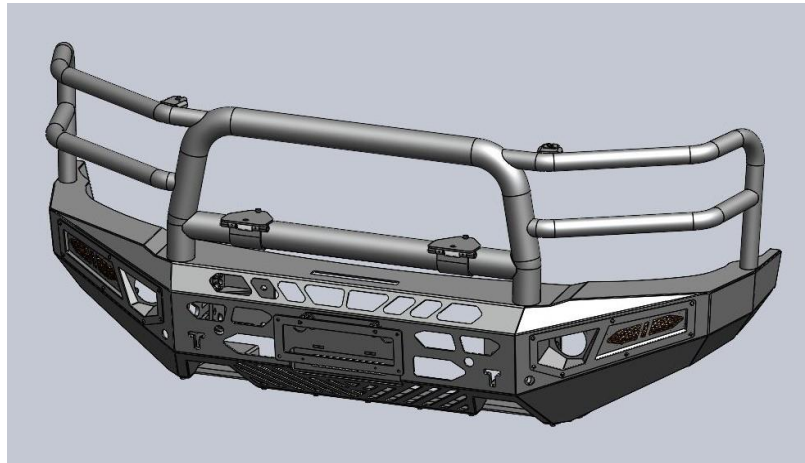
Fasteners Assembly Instructions for Duramax Chevrolet 2018 Bull Bar

Applying for products:

1153 SRMX-CHVRLT-18-PC
 1153 SRMX-CHVRLT-18-PC-3H
 1153 SRMX-CHVRLT-18-PC-LH
 1153 SRMX-CHVRLT-18-PC-SH

Part number	Description	Qty/per set
AC01	Hex Head Bolt M12 x 45mmL x P1.25	6
AC02	Nyloc Nut M12 x P1.25	6
AC03	Steel Nord Lock Washer M12 x 13mmID x 19mmOD x 2.2mmT	6
AC04	Steel Flat Washer M12 x 13mmID x 26mmOD x 2.2mmT	12
AC07	Steel Flat Washer M8 x 8.4mmID x 17mmOD x 2.5mmT	13
AC08	Steel Spring Washer M8	9
AC09	M6 x 12mmL x P1 Steel Hex Socket (allen Key) & Domed Head Bolt	22
AC10	Hex Head Bolt M8 x 25mmL x P1.25	2
AC11	Steel Spring Washer M6	8
AC12	M4 x 16mmL x P0.7 Hex Socket (allen Key) & Domed Head Bolt	12
AC13	Hex Head Bolt M8 x 20mmL x P 1.25	9
AC14	Steel Spring Washer M4	8
AC15	Hex Head Bolt M6 x 25mmL x P1.0	2
AC16	Steel Flat Washer M4 x 4.3mmID x 9mmOD x 0.8mmT	4
AC17	Nyloc Nut M4 x P0.7	4
AC18	Steel Flat Washer M6 x 6.6mmID x 15mmOD x 2mmT	12
AC19	Nyloc Nut M8 x P1.25	2
AC20	Steel Nyloc Nut M6 x P1.0	2

GENERAL VIEW

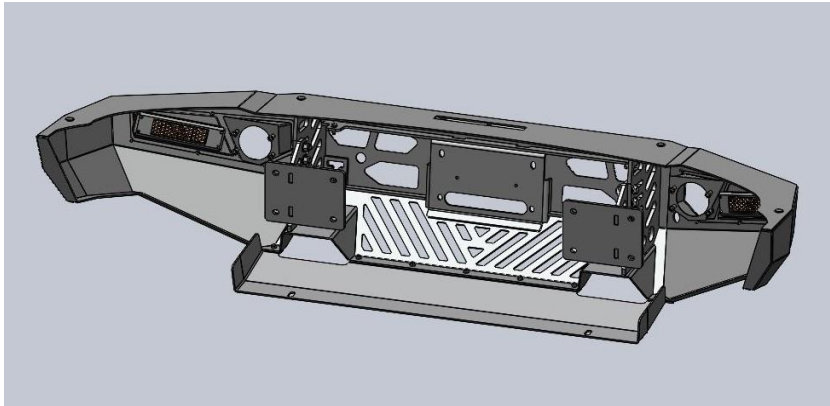
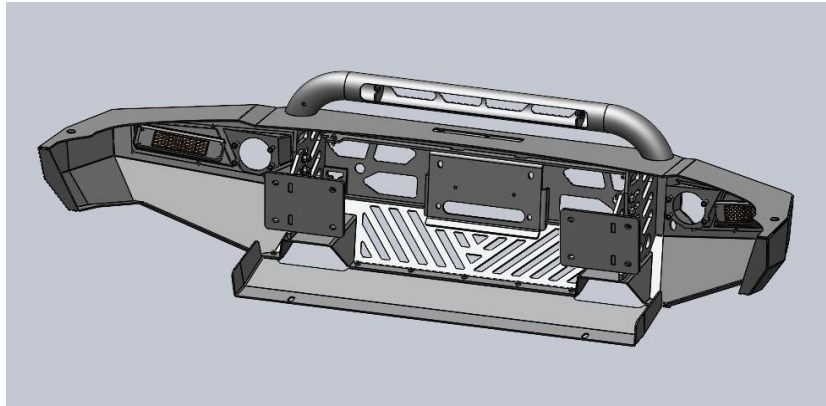
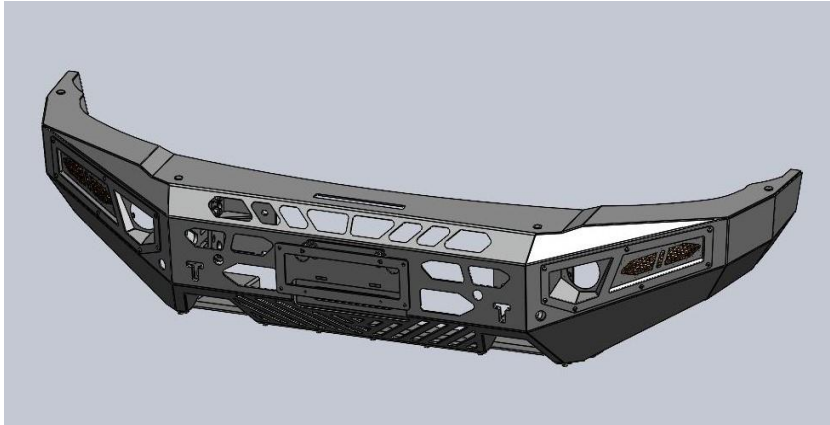
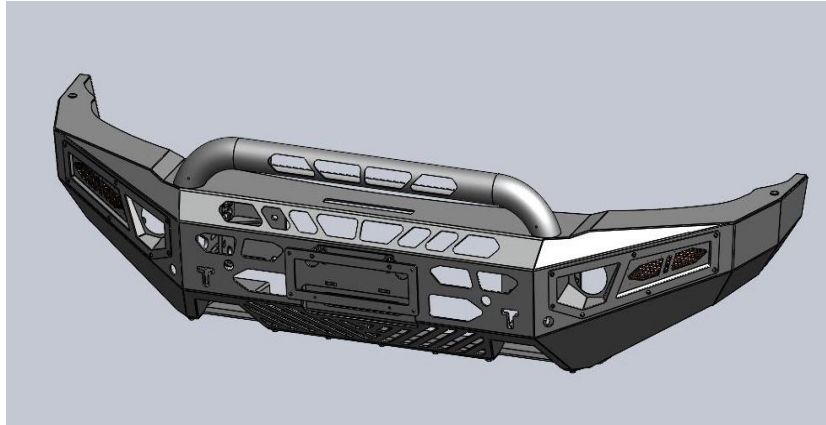


TRIPLE HOOP

SINGLE HOOP

WI-020-R1

GENERAL VIEW

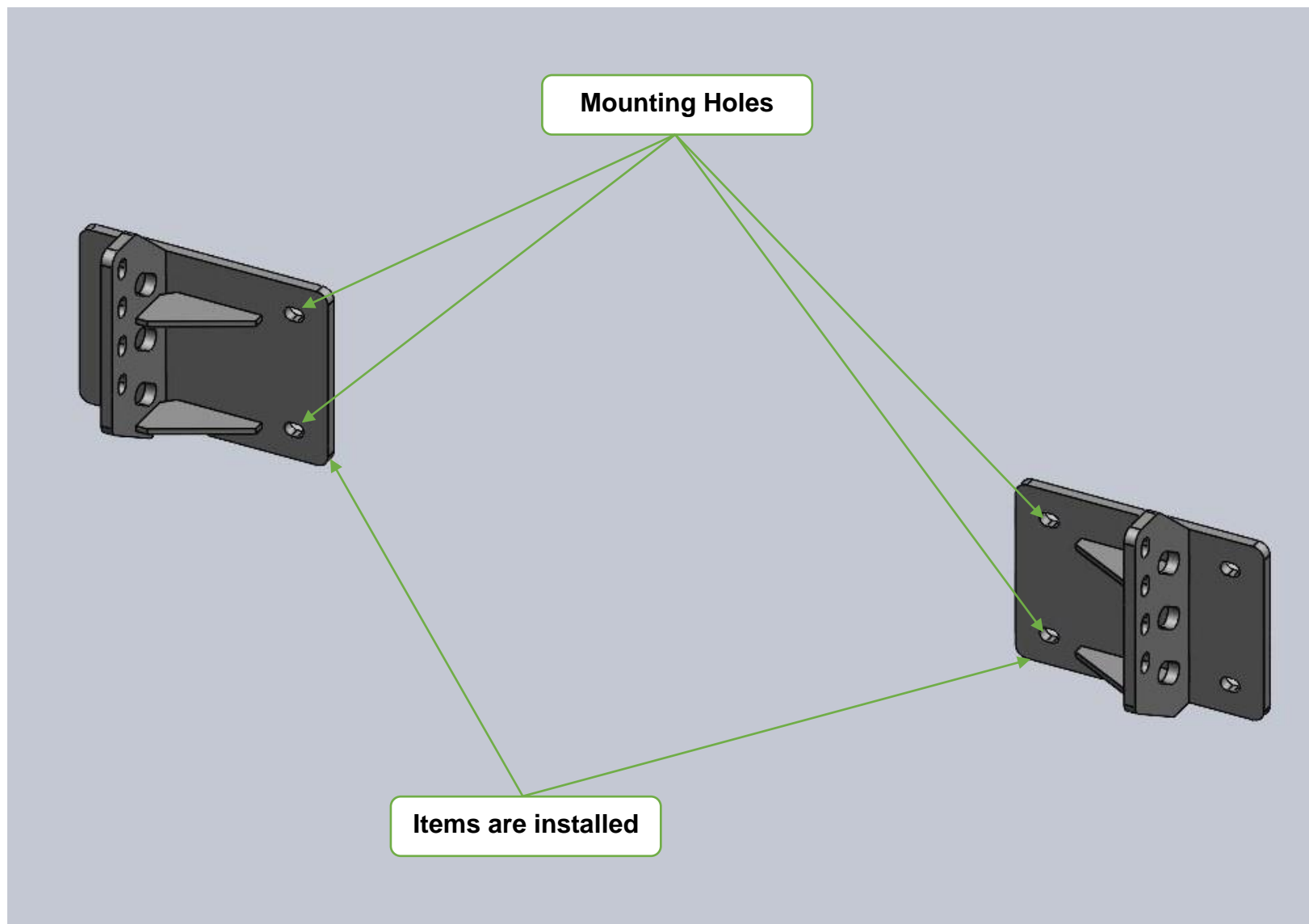


LOW HOOP

NO HOOP

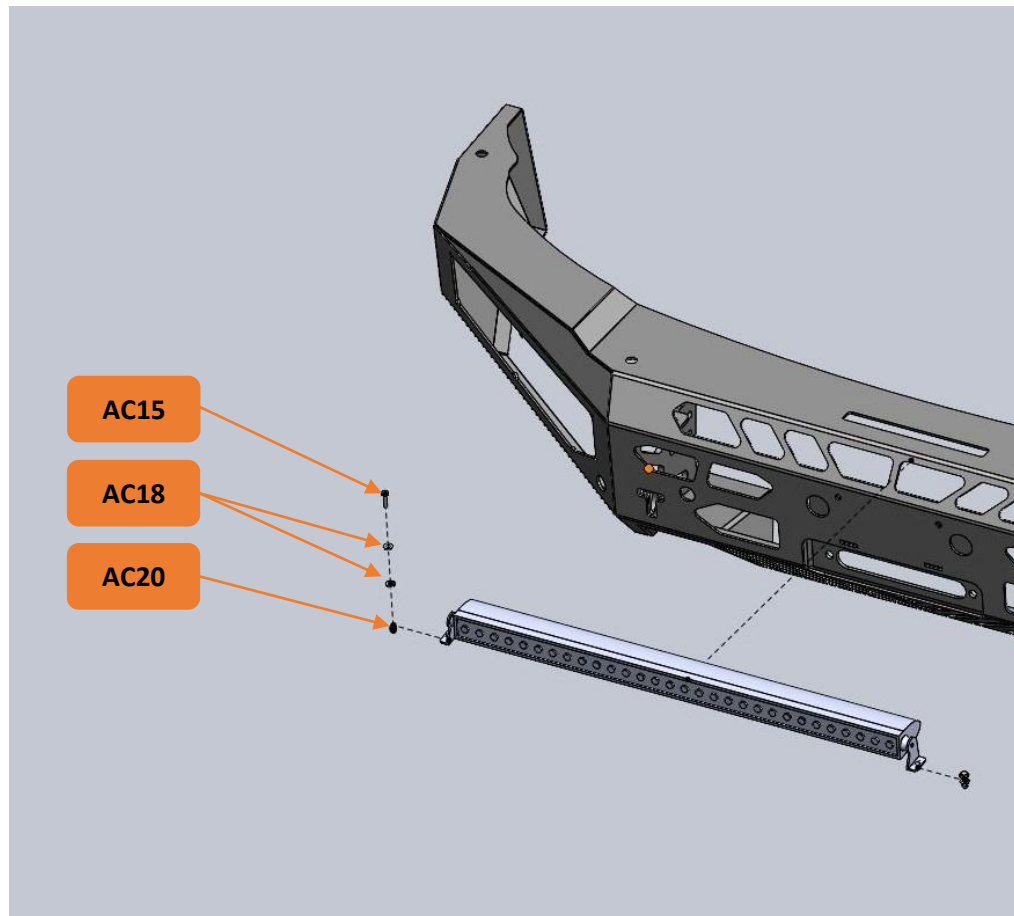
WI-020-R1

STEP 1: Install Mounting Bracket RH & LH into the Car, bolted both sides with 8 positions.

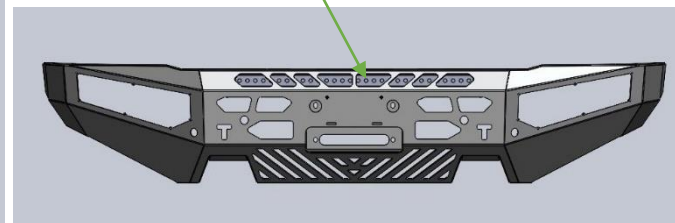


WI-020-R1

STEP 2.1: Install Single LED Bar into Bull Bar Body, bolted with 2 positions.



Item is installed



AC15 x 02 pcs : Hex Head Bolt M6 x 25mmL x P1.0

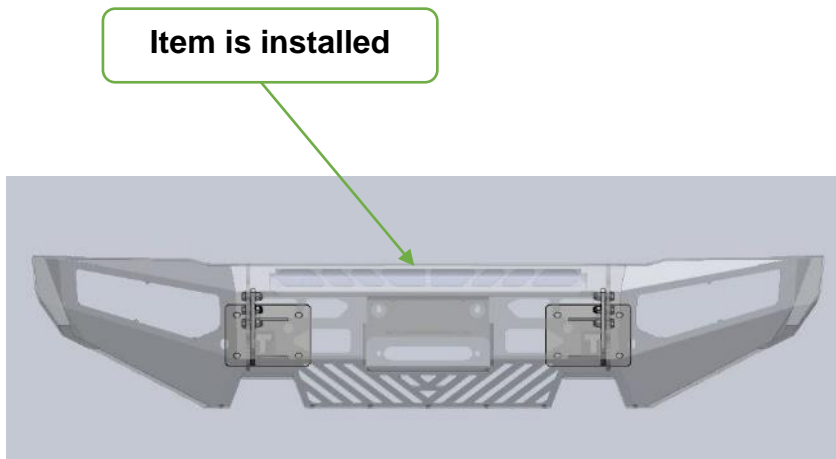
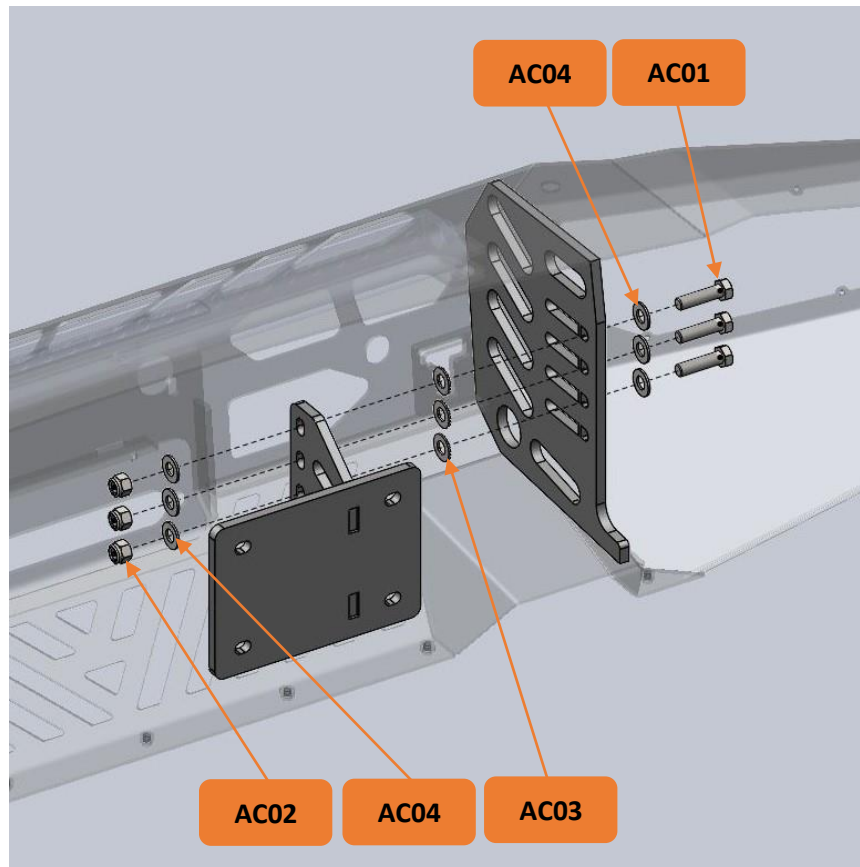
AC18 x 04 pcs : Steel Flat Washer M6 x 6.6mmID x 15mmOD x 2mmT

AC20 x 02 pcs : Steel Nyloc Nut M6 x P1.0

Bolt Tightening Torque: 10(Nm)

WI-020-R1

STEP 2.2: Install Bull Bar Body into the Car, bolted both sides with 6 positions.



AC01 x 06 pcs : Hex Head Bolt M12 x 45mmL x P1.25

AC02 x 06 pcs : Nyloc Nut M12 x P1.25

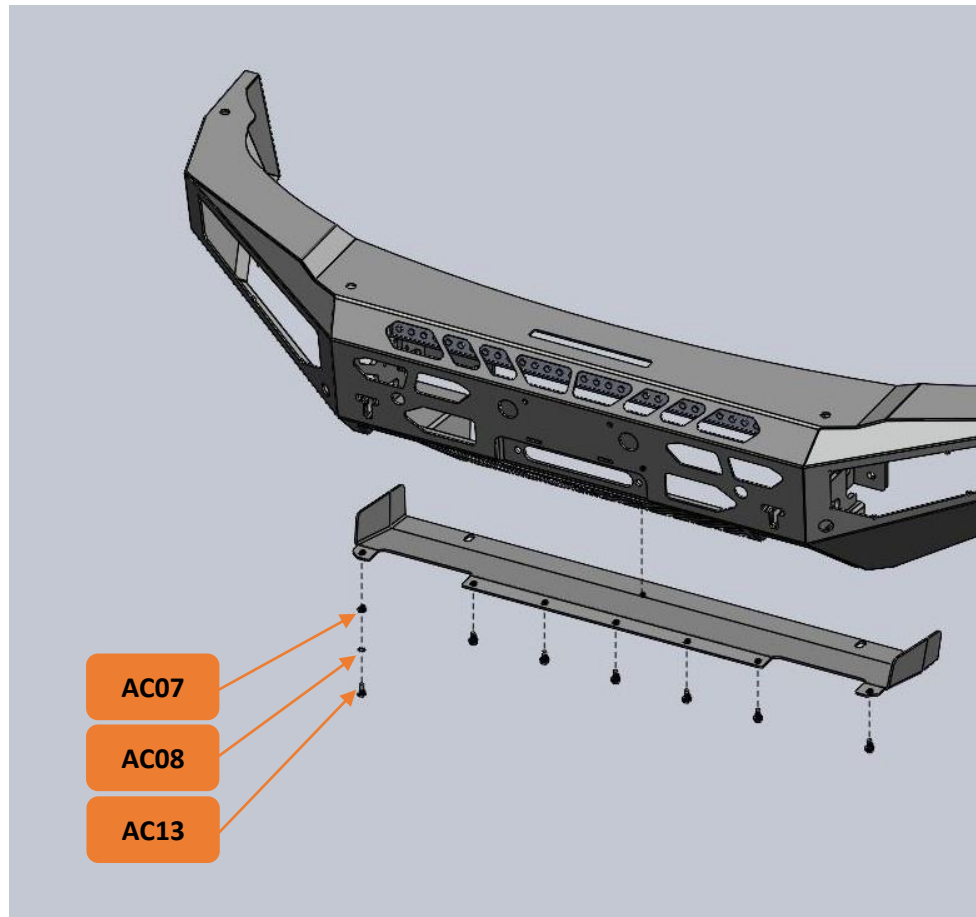
AC03 x 06 pcs : Steel Nord Lock Washer M12 x 13mmID x 19mmOD x 2.2mmT

AC04 x 12 pcs : Steel Flat Washer M12 x 13mmID x 26mmOD x 2.2mmT

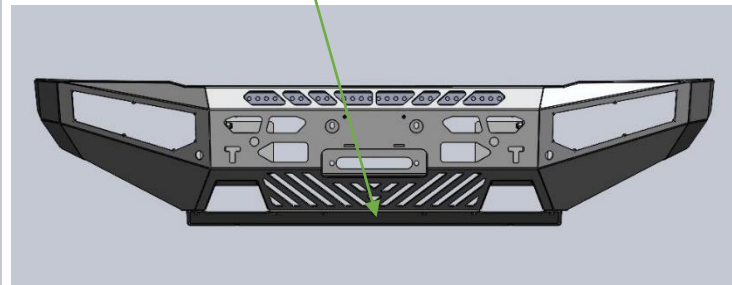
Bolt Tightening Torque: 88(Nm)

WI-020-R1

STEP 3: Install Bottom Cover Plate into the Bull Bar, bolted with 7 positions.



Item is installed



AC07 x 07 pcs : Steel Flat Washer M8 x 8.4mmID x 17mmOD x 2.5mmT

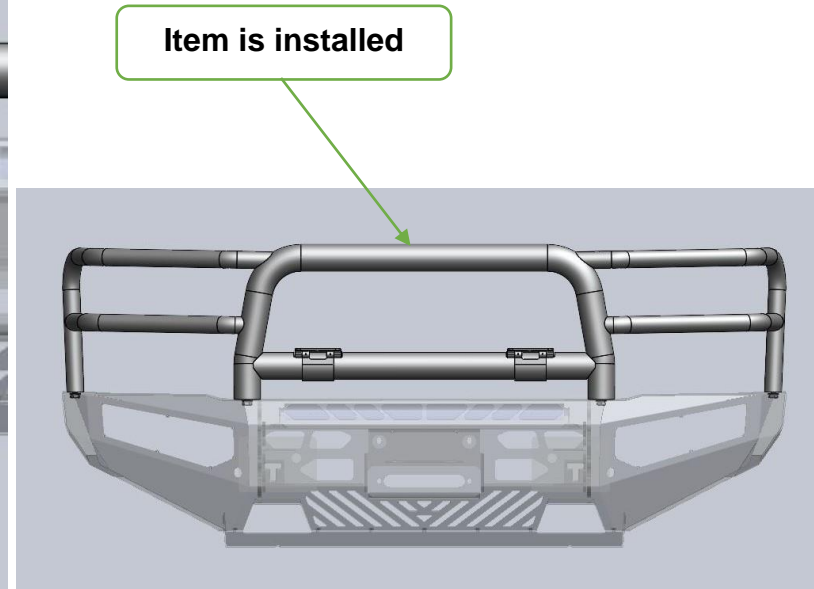
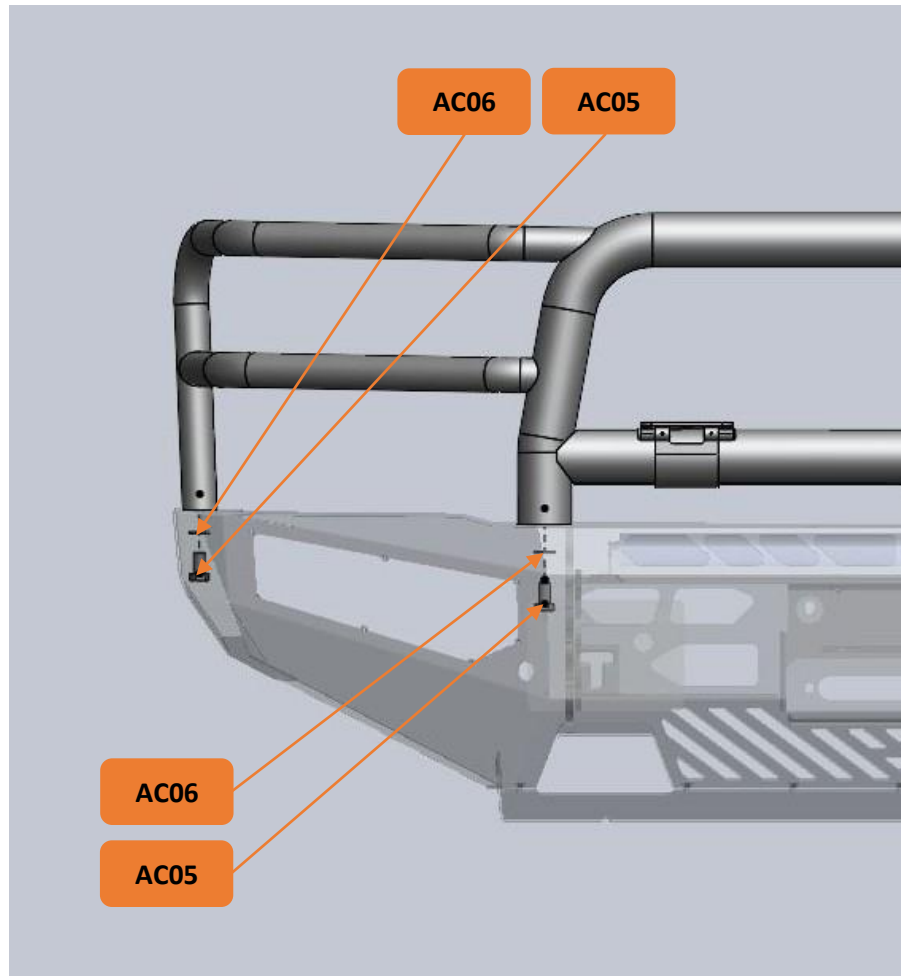
AC08 x 07 pcs : Steel Spring Washer M8

AC13 x 07 pcs : Hex Head Bolt M8 x 20mmL x P 1.25

Bolt Tightening Torque: 24(Nm)

WI-020-R1

STEP 4.1: Install Triple Hoop into the Car, bolted with 4 positions. **[Use for Triple Hoop only]**



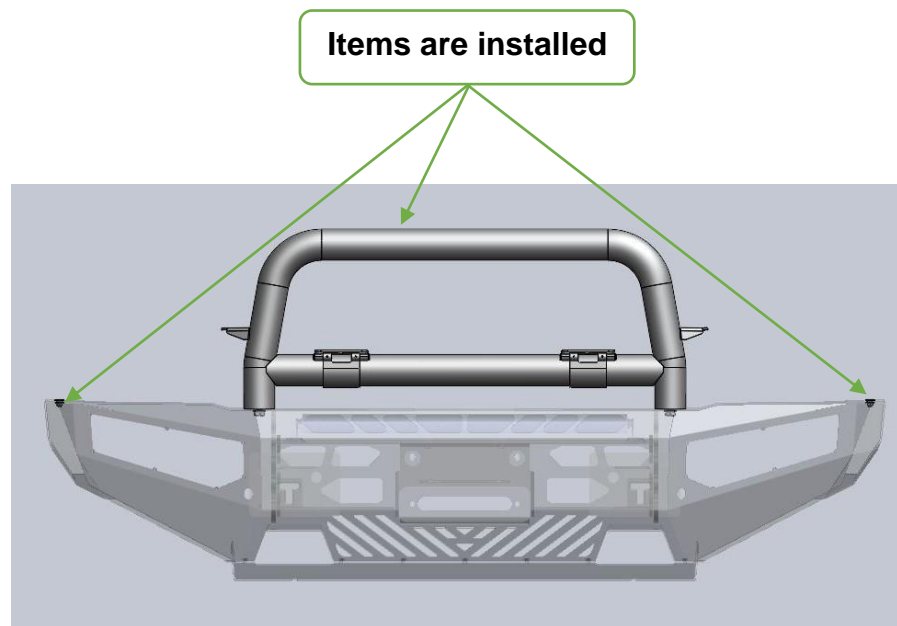
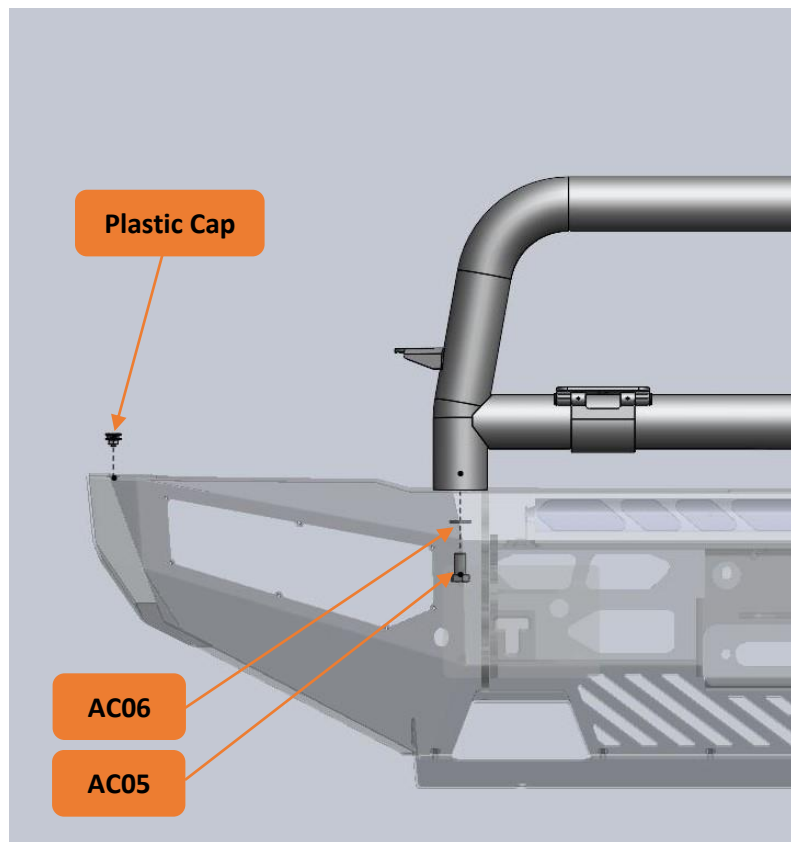
AC05 x 04 pcs : Hex Head Bolt M16 x 30mmL x P2.0

AC06 x 04 pcs : Steel Flat Washer M16 x 17mmID x 30mmOD x 2.5mmT

Bolt Tightening Torque: 88(Nm)

WI-020-R1

STEP 4.2: Install Single Hoop & Plastic Cap into the Car, bolted with 4 positions. **[Use for Single Hoop only]**



Plastic Cap x 02 pcs

Bolt Tightening Torque: 3(Nm)

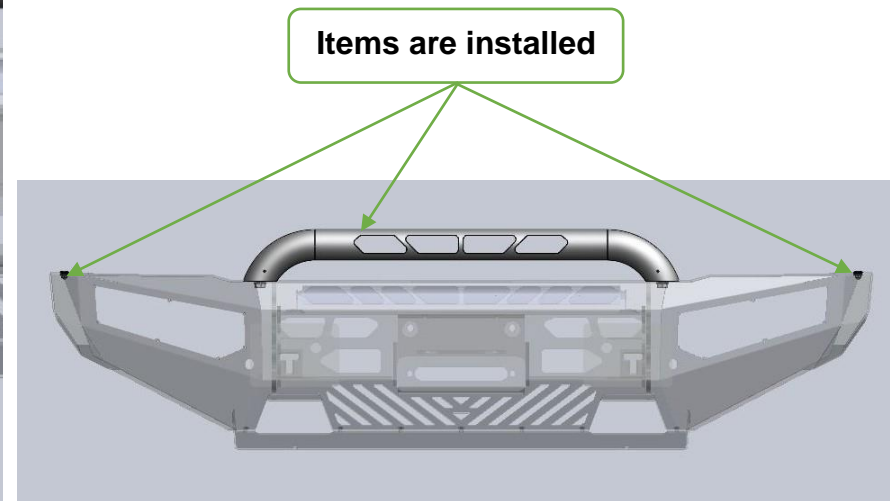
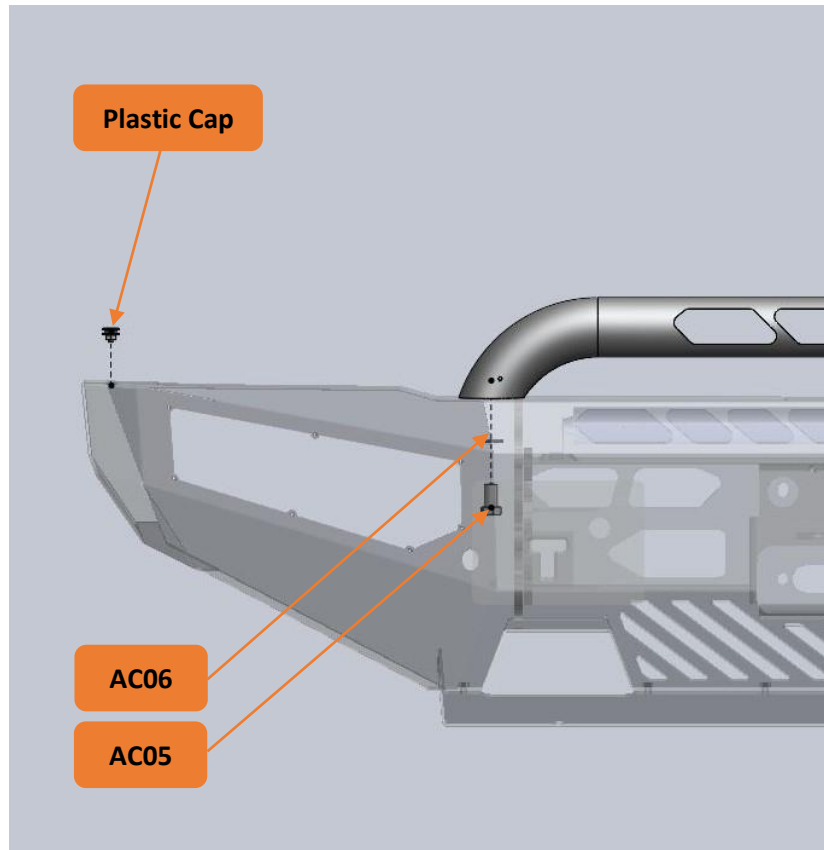
AC05 x 02 pcs : Hex Head Bolt M16 x 30mmL x P2.0

AC06 x 02 pcs : Steel Flat Washer M16 x 17mmID x 30mmOD x 2.5mmT

Bolt Tightening Torque: 88(Nm)

WI-020-R1

STEP 4.3: Install Low Hoop & Plastic Cap into the Car, bolted with 4 positions. **[Use for Low Hoop only]**



Plastic Cap x 02 pcs

Bolt Tightening Torque: 3(Nm)

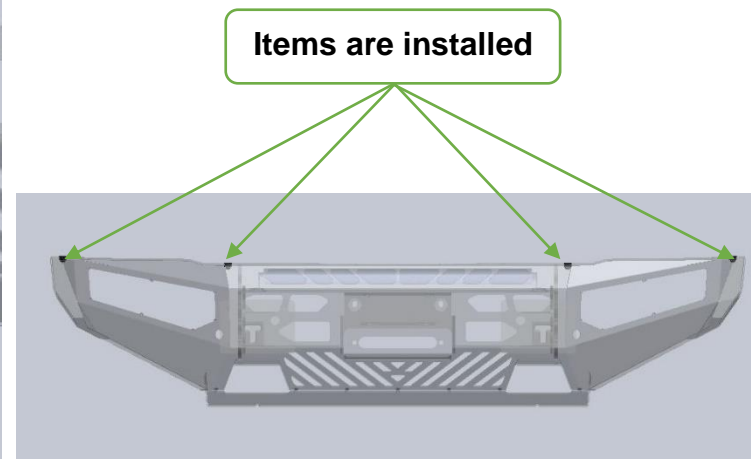
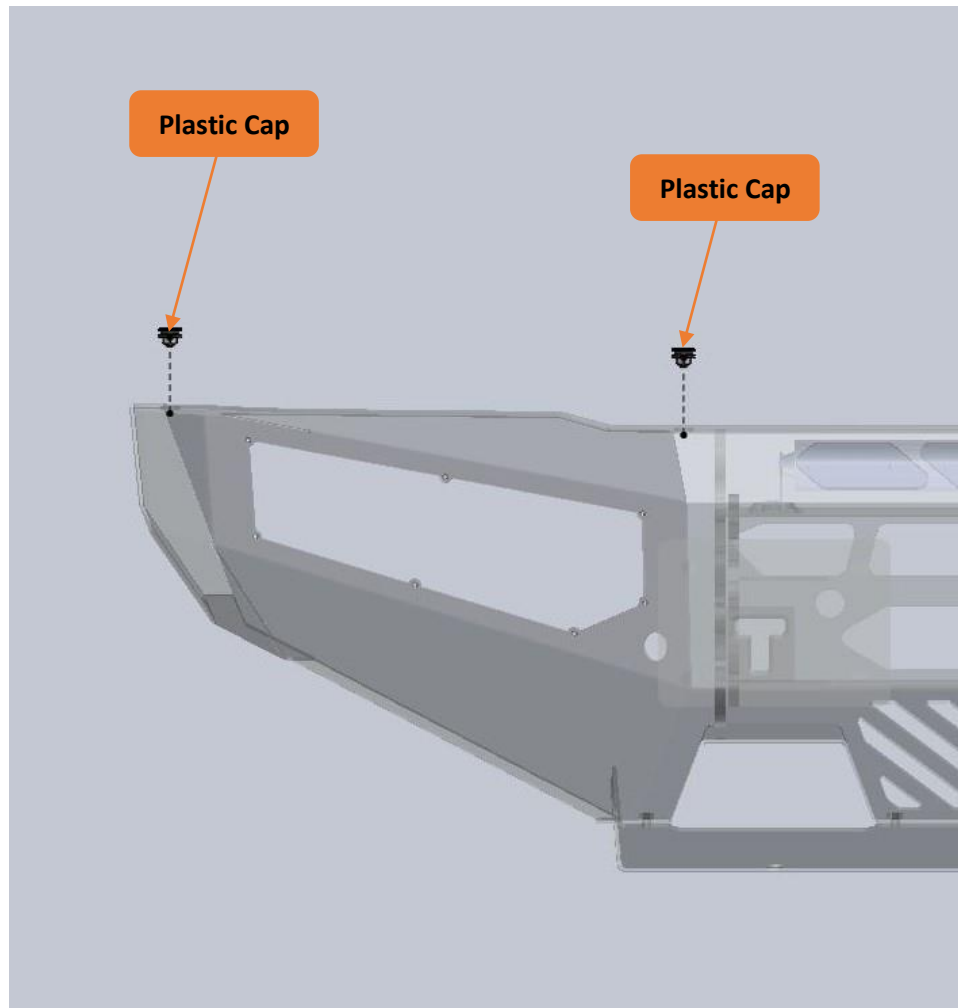
AC05 x 02 pcs : Hex Head Bolt M16 x 30mmL x P2.0

AC06 x 02 pcs : Steel Flat Washer M16 x 17mmID x 30mmOD x 2.5mmT

Bolt Tightening Torque: 88(Nm)

WI-020-R1

STEP 4.4: Install Plastic Cap into the Car, bolted with 4 positions. **[Use for No Hoop only]**

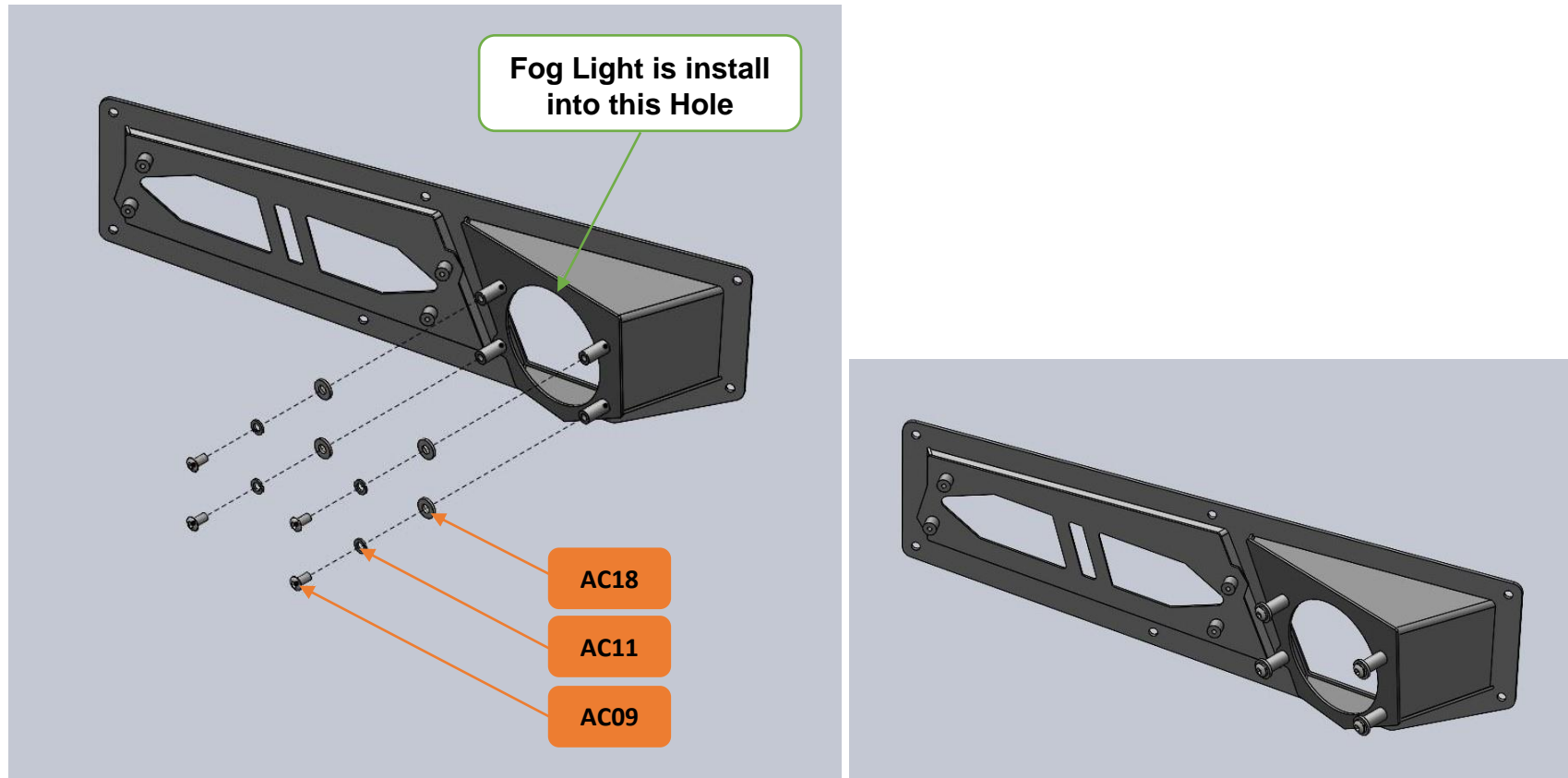


Plastic Cap x 04 pcs

Bolt Tightening Torque: 3(Nm)

WI-020-R1

STEP 5.1: Install Fog Light into Light Panel RH & LH, bolted both side with 8 positions.



AC31 x 01 pcs : Fog Lights (Pair) with Accessories

AC09 x 08 pcs : M6 x 12mmL x P1 Steel Hex Socket (allen Key) & Domed Head Bolt

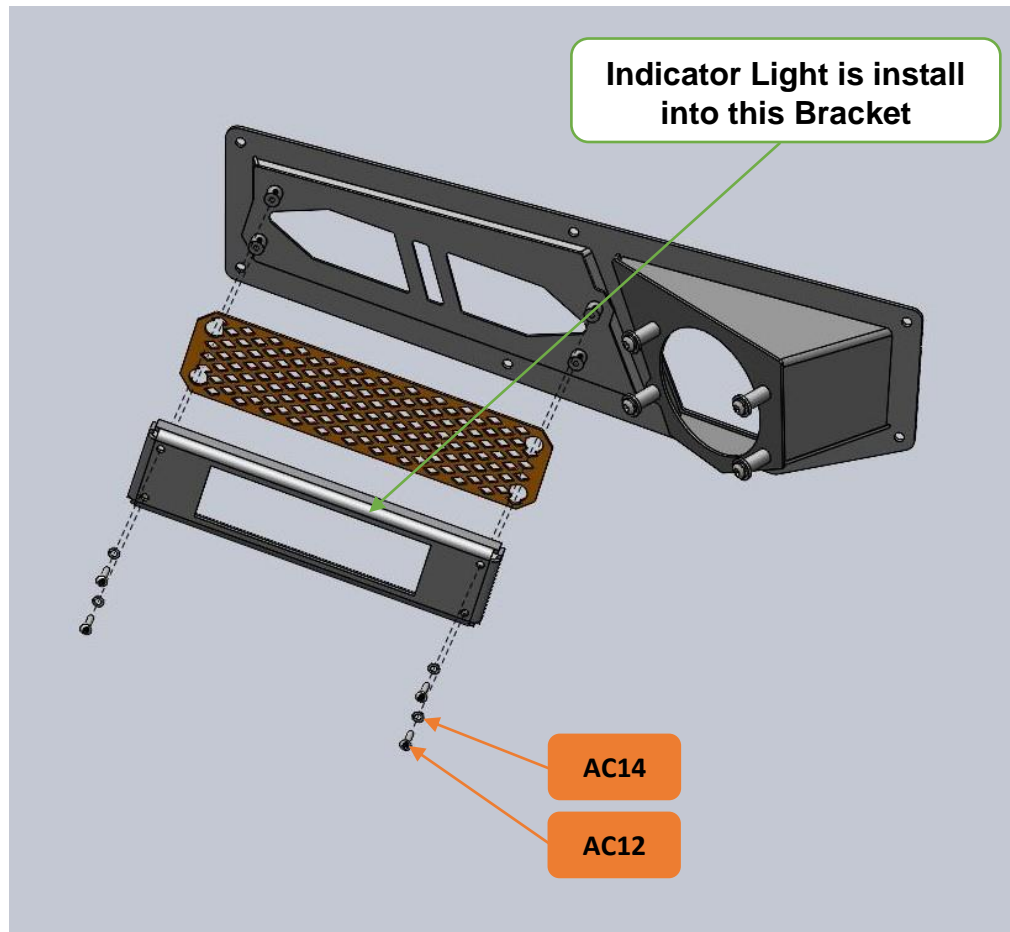
AC11 x 08 pcs : Steel Spring Washer M6

AC18 x 08 pcs : Steel Flat Washer M6 x 6.6mmID x 15mmOD x 2mmT

Bolt Tightening Torque: 10(Nm)

WI-020-R1

STEP 5.2: Install Indicator Light into Light Panel RH & LH, bolted both side with 8 positions.



AC32 x 01 pcs : Indicator Lights (Pair)

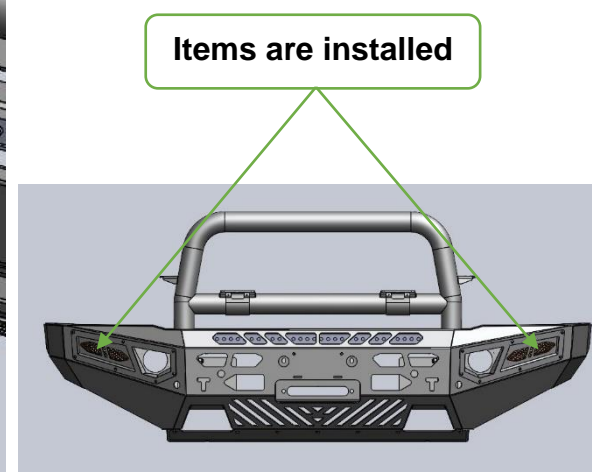
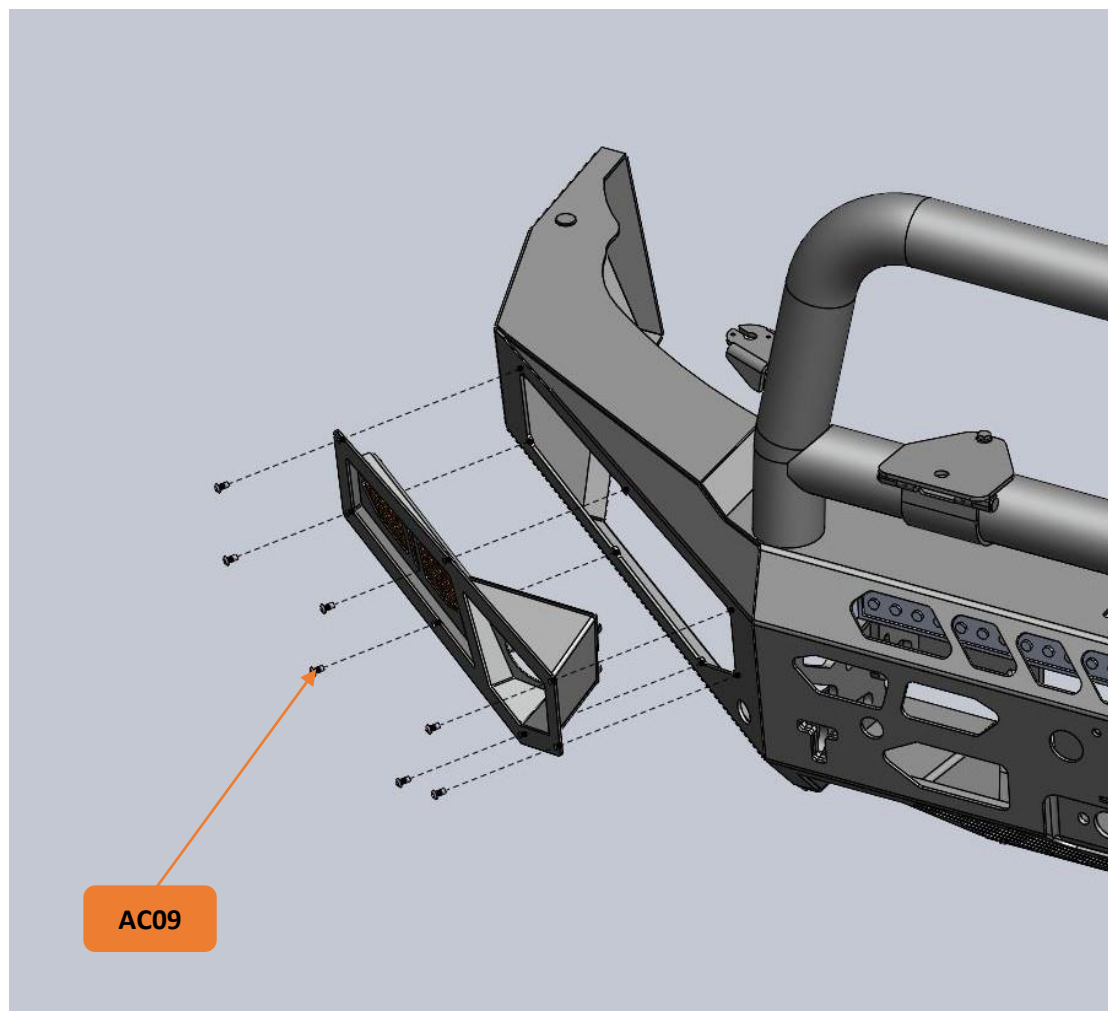
AC12 x 08 pcs : M4 x 16mmL x P0.7 Hex Socket (allen Key) & Domed Head Bolt

AC14 x 08 pcs : Steel Spring Washer M4

Bolt Tightening Torque: 3(Nm)

WI-020-R1

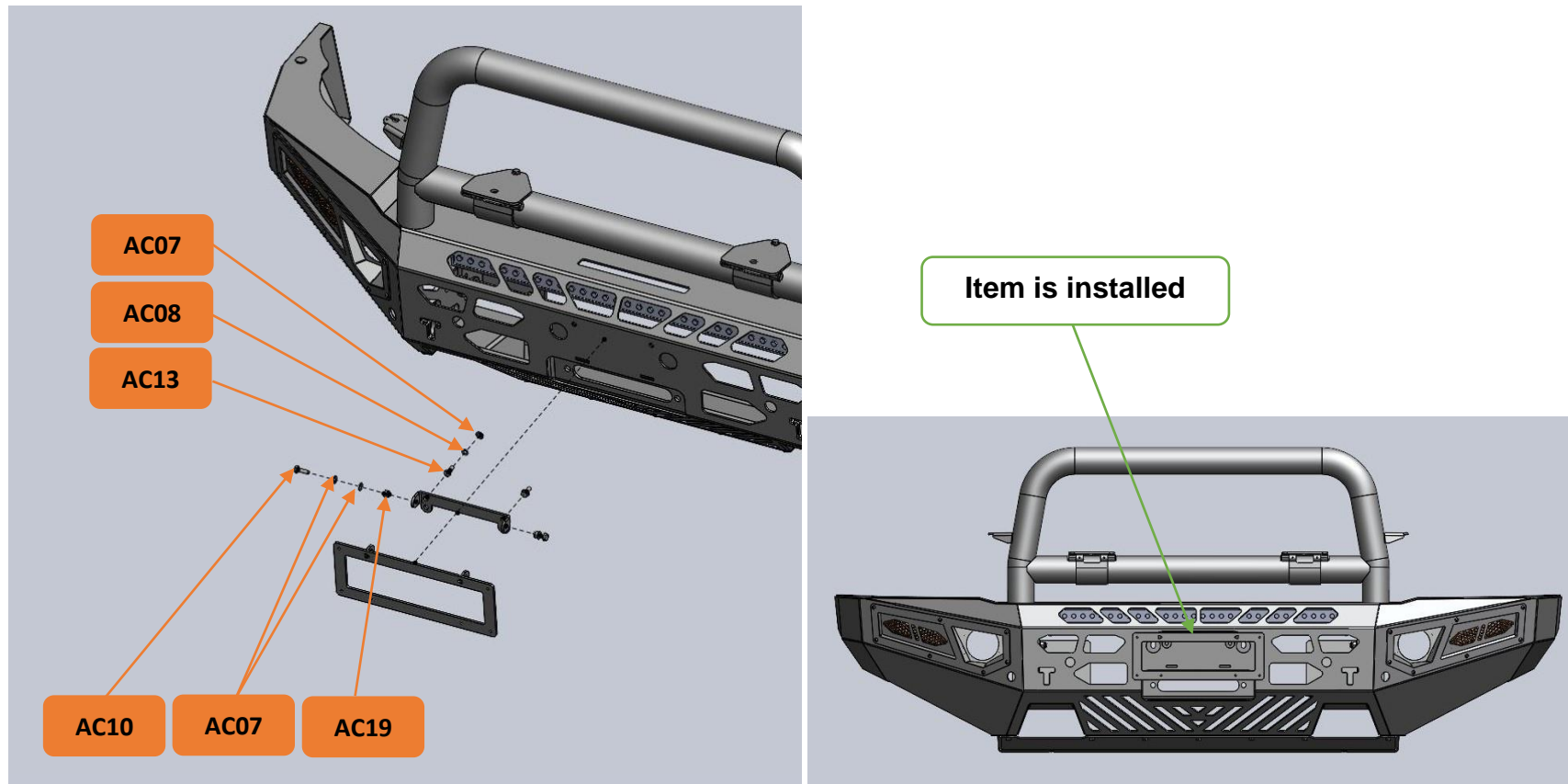
STEP 5.3: Install Light Panel RH & LH into the Car, bolted both sides with 14 positions.



AC09 x 14 pcs : M6 x 12mmL x P1 Steel Hex Socket (allen Key) & Domed Head Bolt
Bolt Tightening Torque: 10(Nm)

WI-020-R1

STEP 6.1: Install License Bracket into the Car, bolted with 4 positions.



AC07 x 06 pcs : Steel Flat Washer M8 x 8.4mmID x 17mmOD x 2.5mmT

AC08 x 02 pcs : Steel Spring Washer M8

AC10 x 02 pcs : Hex Head Bolt M8 x 25mmL x P1.25

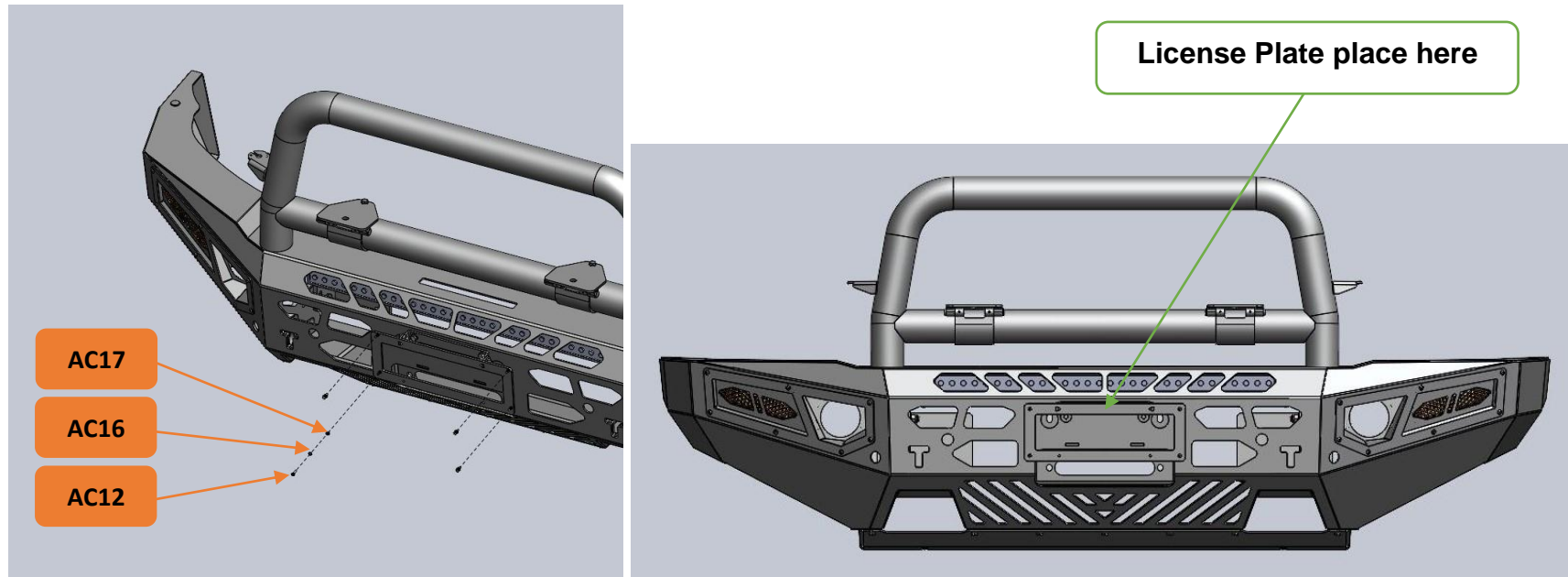
AC13 x 02 pcs : Hex Head Bolt M8 x 20mmL x P 1.25

AC19 x 02 pcs : Nyloc Nut M8 x P1.25

Bolt Tightening Torque: 24(Nm)

WI-020-R1

STEP 6.2: Install License Plate into the Bracket, bolted with 4 positions.



AC12 x 04 pcs : M4 x 16mmL x P0.7 Hex Socket (allen Key) & Domed Head Bolt

AC16 x 04 pcs : Steel Flat Washer M4 x 4.3mmID x 9mmOD x 0.8mmT

AC17 x 04 pcs : Nyloc Nut M4 x P0.7

Bolt Tightening Torque: 3(Nm)

Recommendation:

Due to the variation of vehicle chassis some shimming may be required by using the extra washers supplied (**AC04**) to assist in lining up the bar where required.

----- END -----